

**CITY OF RAYMORE**

100 Municipal Circle · Raymore, MO. 64083  
Phone · 816-892-3045 · Fax · 816-892-3093



**ADDENDUM NO. 2**

West Hawk Ridge Improvements  
Project #22-386-201

All plan holders are hereby notified and agree by signature below, that the proposal includes consideration of the following changes, amendments, and/or clarifications and costs associated with these changes and are included in the proposal.

**Addendum No. 2 - Questions**

**1. Question:** Please provide clarification on the type of pole, head and base to be installed.

**Answer:** See Attached

**2. Question:** Can you please provide the Geotech report?

**Answer:** There is no Geotech report available

Any other questions regarding this proposal shall be submitted to Kim Quade, CPPB by email at kquade@raymore.com or by phone at (816) 892-3045. There will be no questions allowed after March 18, 2022 at 5 p.m.

I hereby certify that the above have been considered and associated costs have been included in this bid.

Company Name: \_\_\_\_\_

By: \_\_\_\_\_

Title: \_\_\_\_\_

Address: \_\_\_\_\_

City, State, Zip: \_\_\_\_\_

Date: \_\_\_\_\_ Phone: \_\_\_\_\_

Signature of Bidder: \_\_\_\_\_

**ADDENDUM MUST BE SUBMITTED WITH BID**

**DESCRIPTION**

The Prevail LED area, site luminaire combines optical performance, energy efficiency and long term reliability in an advanced, patent pending modern design. Utilizing the latest LED technology, the Prevail luminaire delivers unparalleled uniformity resulting in greater pole spacing. A versatile mount standard arm facilitates ease of installation for both retrofit and new installations. With energy savings greater than 62%, the Prevail fixture replaces 150-450W metal halide fixtures in general area lighting applications such as parking lots, walkways, roadways and building areas.

<b>Catalog #</b>		<b>Type</b>
<b>Project</b>		<b>S1</b>
<b>Comments</b>		<b>Date</b>
<b>Prepared by</b>		

**SPECIFICATION FEATURES**

**Construction**

Construction is comprised of a heavy-duty, single-piece die-cast aluminum housing. The LED drivers are mounted in direct contact with the casting to promote low operating temperature and long life. The die-cast aluminum door is tethered to provide easy access to the driver if replacement is required. A one-piece silicone gasket seals the door to the fixture housing. The optics is mounted on a versatile, aluminum plate that dissipates heat from the LEDs resulting in longer life of the fixture. The fixture is IP66 and 3G vibration rated (ANSI C136.31) to insure strength of construction and longevity in the selected application.

**Optics**

Precision molded, high efficiency optics are precisely designed to shape the distribution, maximizing efficiency and application spacing. Available in Type II, III, IV and V distributions with lumen packages ranging from 6,100 to 18,900 nominal lumens. Light engine configurations consist of 1 or 2 high-efficacy LEDs mounted to metal-core circuit boards to maximize heat dissipation and promote long life (up to L92/60,000 hours at 25°C) per IESNA TM-21. For the ultimate level of spill light control, an optional house side shield accessory can be field or factory installed.

**Electrical**

LED drivers are mounted to the fixture for optimal heat sinking and ease of maintenance. Thermal management incorporates both conduction and convection to transfer heat rapidly away from the LED source for optimal efficiency and light output. Class 1 electronic drivers have a power factor >90%, THD <20%, and an expected life of 100,000 hours with <1% failure rate. Available in 120-277V 50/60Hz, 347V 60Hz or 480V 60Hz operation. 480V is compatible for use with 480V Wye systems only. 10kV/10 kA surge protection standard. 0-10V dimming driver is standard with leads external to the fixture to accommodate controls capability such as dimming and occupancy. Suitable for ambient temperatures from -40°C to 40°C. Optional 50°C HA (high ambient) available. Standard NEMA 3-PIN twistlock photocontrol receptacle and NEMA 7-PIN twistlock photocontrol receptacles are available as options.

**Controls**

The Prevail LED luminaire control options are designed to be simple and cost-effective ASHRAE and California Title 24 compliant solutions. The ANSI C136.41 compliant NEMA 7-PIN receptacle enables wireless dimming when used with compatible photocontrol. An integrated dimming and occupancy sensor is a standalone control option available in on/off (MSP) and bi-level dimming

(MSP/DIM) operation. The optional LumaWatt Pro system is best described as a peer-to-peer wireless network of luminaire-integral sensors that operate in accordance with programmable profiles. Each sensor is capable of motion and photo sensing, metering power consumption and wireless communication.

**Mounting**

Standard pole mount arm is bolted directly to the pole and the fixture slides onto the arm and locks in place with a bolt facilitating quick and easy installation. The versatile, patented, standard mount arm accommodates multiple drill patterns ranging from 1-1/2" to 4-7/8". Removal of the door on the standard mounting arm enables wiring of the fixture without having to access the driver compartment. A knock-out on the standard mounting arm enables round pole mounting. Wall mount and mast arm mounting options are available. Mast arm adapter fits 2-3/8" O.D. tenon.

**Finish**

Housing and cast parts finished in five-stage super TGIC polyester powder coat paint, 2.5 mil nominal thickness for superior protection against fade and wear. Standard color is bronze. Additional colors available in white, grey, black, dark platinum and graphite metallic.

**Warranty**

Five-year warranty.



**PRV PREVAIL**

LED

AREA / SITE / ROADWAY LUMINAIRE



**CERTIFICATION DATA**

UL and cUL Wet Location Listed  
 IP66-Rated  
 3G Vibration Rated  
 ISO 9001  
 DesignLights Consortium® Qualified\*

**ENERGY DATA**

**Electronic LED Driver**  
 0.9 Power Factor  
 <20% Total Harmonic Distortion  
 120-277V/50 and 60Hz,  
 347V/60Hz, 480V/60Hz  
 -40°C Minimum Temperature Rating  
 +40°C Ambient Temperature Rating

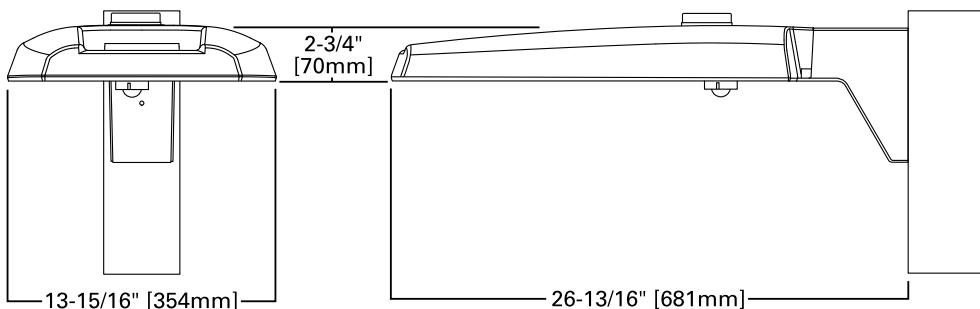
**EPA**

Effective Projected Area (Sq. Ft.): 0.75

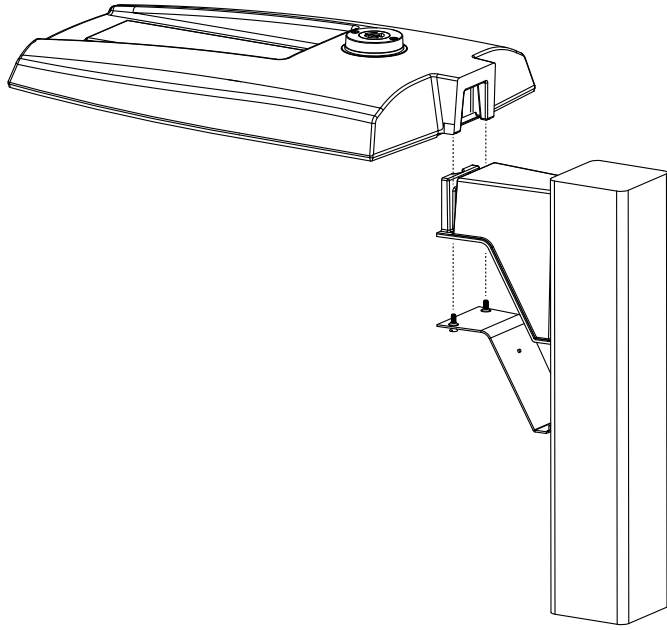
**SHIPPING DATA**

Approximate Net Weight:  
 20 lbs. (9.09 kgs.)

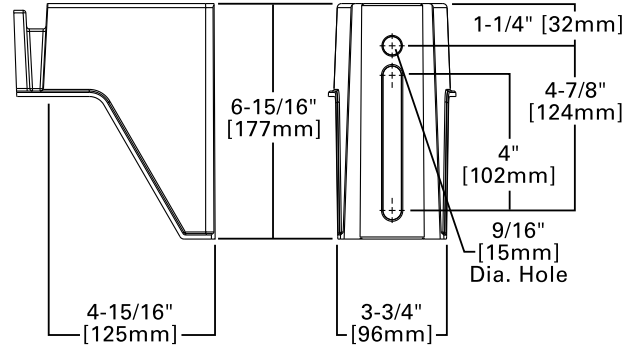
**DIMENSIONS**



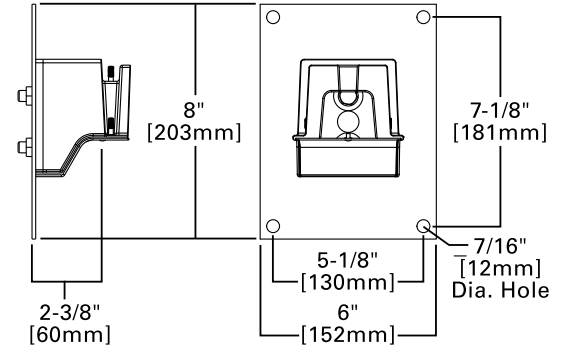
**VERSATILE MOUNT SYSTEM**



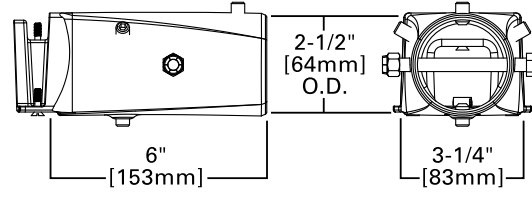
**POLE MOUNT ARM**



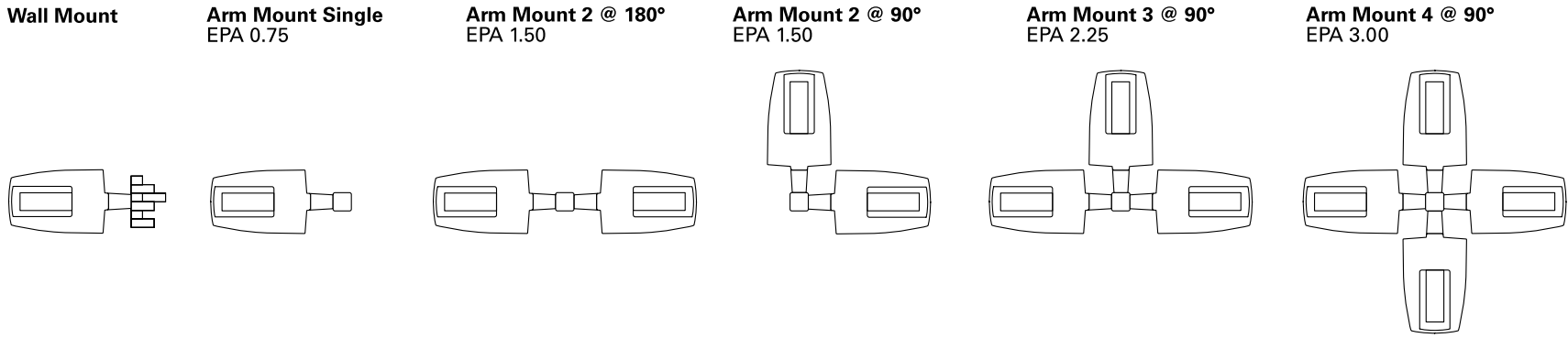
**WALL MOUNT**



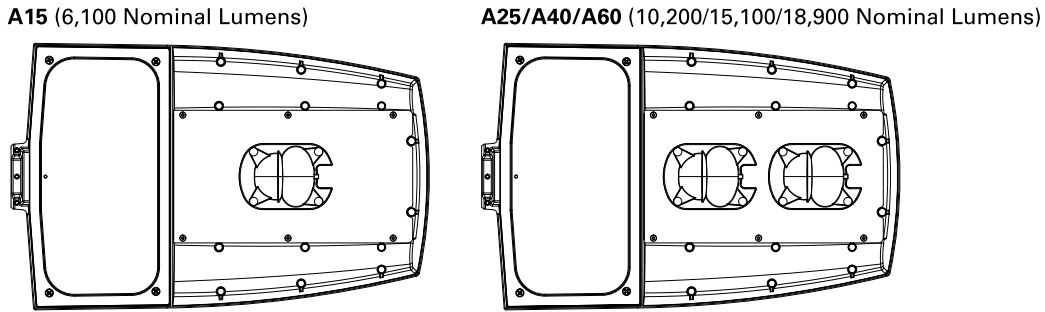
**MAST ARM MOUNT**



**MOUNTING CONFIGURATIONS AND EPAS**



**OPTICAL CONFIGURATIONS**



**POWER AND LUMENS**

Light Engine	A15	A25	A40	A60	
Nominal Power (Watts)	57W	87W	143W	163W	
Input Current @ 120V (A)	0.49	0.76	1.23	1.34	
Input Current @ 277V (A)	0.22	0.35	0.54	0.60	
Input Current @ 347V (A)	0.18	0.28	0.45	0.49	
Input Current @ 480V (A)	0.13	0.21	0.33	0.35	
Type II	Lumens	6,139	10,204	15,073	18,830
	BUG Rating	B1-U0-G1	B2-U0-G2	B3-U0-G3	B3-U0-G3
Type III	Lumens	6,192	10,292	15,203	18,992
	BUG Rating	B1-U0-G2	B2-U0-G3	B2-U0-G3	B3-U0-G4
Type IV	Lumens	6,173	10,261	15,157	18,935
	BUG Rating	B1-U0-G3	B2-U0-G3	B2-U0-G4	B2-U0-G5
Type V	Lumens	6,393	10,627	15,697	19,610
	BUG Rating	B3-U0-G3	B4-U0-G3	B4-U0-G4	B5-U0-G4

NOTE: Lumen output for standard bronze fixture color. Different housing colors impact lumen output. IES files for the non-standard colors are available upon request.

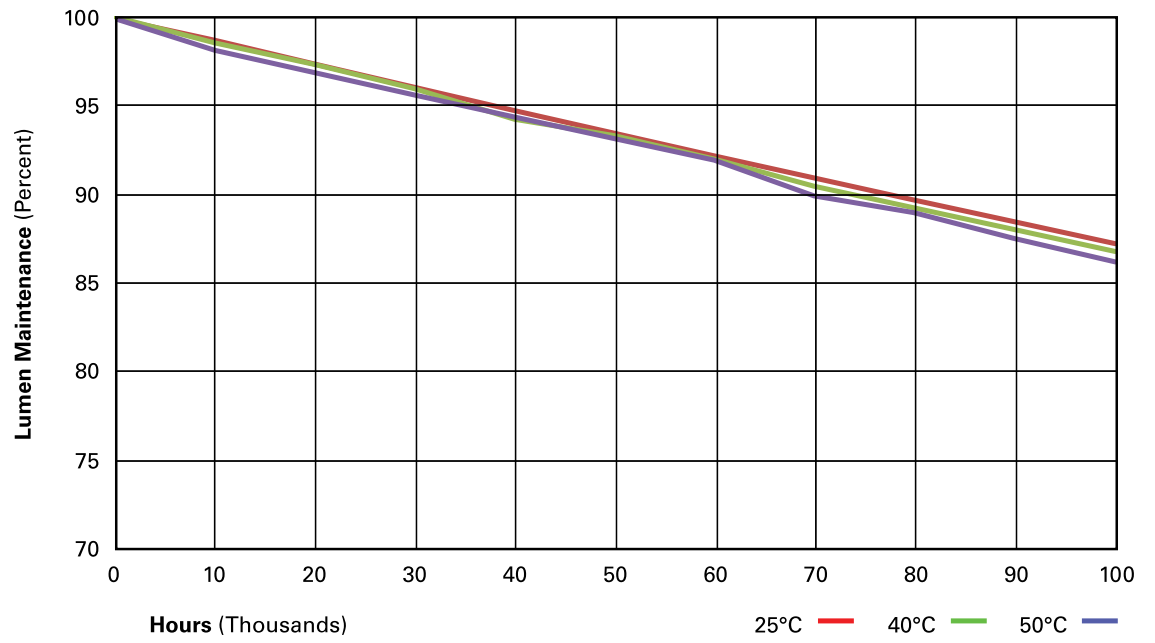
**LUMEN MAINTENANCE**

Ambient Temperature	25,000 Hours*	50,000 Hours*	60,000 Hours*	Theoretical 100,000 Hours	Theoretical L70 (Hours)*
25°C	> 96%	> 93%	> 92%	> 87%	> 260,000
40°C	> 96%	> 93%	> 92%	> 87%	> 255,000
50°C	> 95%	> 92%	> 91%	> 86%	> 250,000

\* Per IESNA TM-21 data.

**LUMEN MULTIPLIER**

Ambient Temperature	Lumen Multiplier
10°C	1.02
15°C	1.01
25°C	1.00
40°C	0.99



**ORDERING INFORMATION**

Sample Number: PRV-A25-D-UNV-T3-SA-BZ

Product Family <sup>1,2</sup>	Light Engine <sup>3</sup>	Driver <sup>4</sup>	Voltage	Distribution	Mounting	Color <sup>6</sup>
PRV=Prevail	A15=(1 LED) 6,100 Nominal Lumens A25=(2 LEDs) 10,200 Nominal Lumens A40=(2 LEDs) 15,100 Nominal Lumens A60=(2 LEDs) 18,900 Nominal Lumens	D=Dimming (0-10V)	UNV=Universal (120-277V) 347=347V 480=480V <sup>5</sup>	T2=Type II T3=Type III T4=Type IV T5=Type V	SA=Standard Versatile Arm MA=Mast Arm WM=Wall Mount Arm	AP=Grey BZ=Bronze (Standard) BK=Black DP=Dark Platinum GM=Graphite Metallic WH=White
<b>Options (Add as Suffix)</b>				<b>Accessories (Order Separately) <sup>12</sup></b>		
7030=70 CRI / 3000K CCT <sup>7</sup> 7050=70 CRI / 5000K CCT <sup>7</sup> 10K=10kV/10kA UL 1449 Fused Surge Protective Device LWR-LW=LumaWatt Pro Wireless Sensor, Wide Lens for 8' - 16' Mounting Height <sup>8,9,10</sup> LWR-LN=LumaWatt Pro Wireless Sensor, Narrow Lens for 16' - 40' Mounting Height <sup>8,9,10</sup> MSP/DIM-L12=Integrated Sensor for Dimming Operation, 8' - 12' Mounting Height MSP/DIM-L30=Integrated Sensor for Dimming Operation, 12' - 30' Mounting Height MSP-L12=Integrated Sensor for ON/OFF Operation, 8' - 12' Mounting Height MSP-L30=Integrated Sensor for ON/OFF Operation, 12' - 30' Mounting Height PER=NEMA 3-PIN Twistlock Photocontrol Receptacle <sup>11</sup> PER7=NEMA 7-PIN Twistlock Photocontrol Receptacle <sup>11</sup> HSS=House Side Shield HA=50°C High Ambient Temperature L90=Optics Rotated 90° Left R90=Optics Rotated 90° Right				PRVWM-XX=Wall Mount Kit PRVMA-XX=Mast Arm Mounting Kit PRVSA-XX=Standard Arm Mounting Kit HS/VERD=House Side Shield MA1010-XX=Single Tenon Adapter for 3-1/2" O.D. Tenon MA1011-XX=2@180° Tenon Adapter for 3-1/2" O.D. Tenon MA1012-XX=3@120° Tenon Adapter for 3-1/2" O.D. Tenon MA1013-XX=4@90° Tenon Adapter for 3-1/2" O.D. Tenon MA1014-XX=2@90° Tenon Adapter for 3-1/2" O.D. Tenon MA1015-XX=2@120° Tenon Adapter for 3-1/2" O.D. Tenon MA1016-XX=3@90° Tenon Adapter for 3-1/2" O.D. Tenon MA1017-XX=Single Tenon Adapter for 2-3/8" O.D. Tenon MA1018-XX=2@180° Tenon Adapter for 2-3/8" O.D. Tenon MA1019-XX=3@120° Tenon Adapter for 2-3/8" O.D. Tenon MA1045-XX=4@90° Tenon Adapter for 2-3/8" O.D. Tenon MA1048-XX=2@90° Tenon Adapter for 2-3/8" O.D. Tenon MA1049-XX=3@90° Tenon Adapter for 2-3/8" O.D. Tenon MA1191-XX=2@120° Tenon Adapter for 2-3/8" O.D. Tenon OA/RA1013=Photocontrol Shorting Cap OA/RA1014=NEMA Photocontrol - 120V OA/RA1016=NEMA Photocontrol - Multi-Tap 105-285V OA/RA1027=NEMA Photocontrol - 480V OA/RA1201=NEMA Photocontrol - 347V ISHH-01=Integrated Sensor Programming Remote		

**NOTES:**

- Customer is responsible for engineering analysis to confirm pole and fixture compatibility for all applications. Refer to installation instructions IB500002EN and pole white paper WP513001EN for additional support information.
- DesignLights Consortium® Qualified and classified for DLC Standard, refer to www.designlights.org for details.
- Standard 4000K CCT and 70 CRI.
- Consult factory for driver surge protection values.
- Only for use with 480V Wye systems. Per NEC, not for use with ungrounded systems, impedance grounded systems or corner grounded systems (commonly known as Three Phase Three Wire Delta, Three Phase High Leg Delta and Three Phase Corner Grounded Delta systems).
- Different housing colors impact lumen output. IES files for the non-standard colors are available upon request.
- Extended lead times apply. Use dedicated IES files for 3000K and 5000K when performing layouts. These files are published on the Prevail luminaire product page on the website.
- LumaWatt Pro wireless sensors are factory installed and require network components LWP-EM-1, LWP-GW-1, and LWP-PoE8 in appropriate quantities. See website for LumaWatt Pro application information.
- LumaWatt Pro wireless system is not available with photocontrol receptacle (Not needed).
- Not available in conjunction with A60 lumen package at HA (High Ambient).
- Not available with MSP or LWR options.
- Replace XX with paint color.

**STOCK ORDERING INFORMATION**

Stock Sample Number: PRVS-A25-UNV-T3

Product Family	Light Engine	Voltage	Distribution	Options (Add as Suffix)
PRVS=Prevail	A15=(1 LED) 6,100 Nominal Lumens A25=(2 LEDs) 10,200 Nominal Lumens A40=(2 LEDs) 15,100 Nominal Lumens A60=(2 LEDs) 18,900 Nominal Lumens	UNV=Universal (120-277V) 347=347V	T3=Type III T4=Type IV	MSP/DIM-L30=Integrated Sensor for Dimming Operation, Maximum 30' Mounting Height

NOTE: Bronze only, 4000K CCT, 120-277V, 347V, standard mounting arm, standard non-fused 10kV MOV and 0-10V dimming.



**Eaton**  
1121 Highway 74 South  
Peachtree City, GA 30269  
P: 770-486-4800  
www.eaton.com/lighting

Specifications and dimensions subject to change without notice.



- COMPANY profile
- KW standard
- K-KLAD coating system
- OUR commitment
- Terms and Conditions
- Warranty
- ONLINE CATALOG
- Contact Us

RSP



Round Non-Tapered Steel Poles

Pole Shaft

The pole shaft is one piece construction, being fabricated from a weldable grade carbon steel structural tubing which has a uniform wall thickness of 11 gauge (0.1196") or 7 gauge (0.1793"). The pole shaft material shall conform to ASTM A500 Grade C with a minimum yield strength of 50,000 psi. The pole shaft has a full length longitudinal resistance weld and is uniformly cylindrical in cross-section with round sides and excellent torsional properties.

Base Plate

The anchor base is fabricated from structural quality hot rolled carbon steel plate that meets or exceeds a minimum yield strength of 36,000 psi. The anchor base telescopes the pole shaft and is circumferentially welded top and bottom. All welds are performed in accordance with the American Welding Society specification AWS D1.1, latest edition.

Anchor Bolts

Anchor bolts are fabricated from commercial quality hot rolled carbon steel bar that meets or exceeds a minimum yield strength of 55,000 psi. Four properly sized anchor bolts, each with two regular hex nuts and washers, are furnished and shipped with all poles unless otherwise specified. Anchor bolts shall have the threaded end galvanized a minimum of 8 inches in accordance with ASTM A153. Fully galvanized anchor bolts are available upon request.

Handhole

An oval reinforced gasketed handhole, having a nominal 2" x 4" or 3" x 5" inside opening, located 1'-6" above base, is standard on all poles. A grounding provision is located inside the handhole ring.

Finishes

The Standard Finish is a polyester thermosetting powder coating applied to the surface of the substrate to a minimum of 3 mils for all color finishes. Hot dip Galvanized finish to a ASTM A123 specification or primed finish is also available. For optional finishes, see K-KLAD and K-KLAD Over Galvanizing.

HOW TO ORDER

When ordering KW lighting standards, mounting adaptors and accessories, be sure to specify the complete catalog number. Our catalog numbers reflect the precise specifications of the item ordered to ensure our customers will receive the product which meets their exact requirements.

The following explanation of the catalog numbers will be helpful in placing orders:

CATALOG LOGIC - ORDERING SAMPLE



Catalog Number	Nominal Height	Pole Shaft	Gauge	Handhole Size	Anchor Bolt	Bolt Circle	80 MPH	90 MPH	100 MPH	Ship WT.	Select
RSP10-4.0-11	10	4.00 x 10.0	11	2 x 4	0.75 x 17 x 3	8	31	24	19.5	78	Configure
RSP10-4.5-11	10	4.50 x 10.0	11	3 x 5	0.75 x 17 x 3	8	40	31.5	25	84	Configure
RSP10-5.0-11	10	5.0 x 10.0	11	3 x 5	1.00 x 36 x 4	11	51	40.5	32.5	139	Configure
RSP12-4.0-11	12	4.00 x 12.0	11	2 x 4	0.75 x 17 x 3	8	28.9	23.4	19.2	73	Configure
RSP12-4.5-11	12	4.50 x 12.0	11	3 x 5	0.75 x 17 x 3	8	34	27	21.5	96	Configure
RSP12-5.0-11	12	5.0 x 12.0	11	3 x 5	1.00 x 36 x 4	11	43	33.5	27	153	Configure
RSP14-4.0-11	14	4.00 x 14.0	11	2 x 4	0.75 x 17 x 3	8	23.6	19.1	15.6	99	Configure
RSP14-4.5-11	14	4.50 x 14.0	11	3 x 5	0.75 x 17 x 3	8	28	22	17	108	Configure
RSP14-5.0-11	14	5.0 x 14.0	11	3 x 5	1.00 x 36 x 4	11	36	28	22.5	166	Configure
RSP15-4.0-11	15	4.00 x 15.0	11	2 x 4	0.75 x 17 x 3	8	18.1	14.5	11.8	88	Configure
RSP15-4.5-11	15	4.50 x 15.0	11	3 x 5	0.75 x 17 x 3	8	26.5	20.5	16.3	98	Configure
RSP15-5.0-11	15	5.0 x 15.0	11	3 x 5	1.00 x 36 x 4	11	33	26	20.5	173	Configure
RSP15-5.0-7	15	5.0 x 15.0	7	3 x 5	1.00 x 36 x 4	11	50	39	31.5	222	Configure
RSP16-4.0-11	16	4.00 x 16.0	11	2 x 4	0.75 x 17 x 3	8	16.5	13.2	10.6	93	Configure
RSP16-4.5-11	16	4.50 x 16.0	11	3 x 5	0.75 x 17 x 3	8	24.4	18.8	14.8	120	Configure
RSP16-5.56-7	16	5.56 x 16	7	3 x 5	1.00 x 42 x 4	10	47	37	29	254	Configure
RSP16-5.0-11	16	5.0 x 16.0	11	3 x 5	1.00 x 36 x 4	11	31	24.2	19.4	179	Configure
RSP16-5.0-7	16	5.0 x 16.0	7	3 x 5	1.00 x 36 x 4	11	47	37	29	232	Configure
RSP18-4.0-11	18	4.00 x 18.0	11	2 x 4	0.75 x 17 x 3	8	13.7	10.8	8.6	103	Configure
RSP18-4.5-11	18	4.50 x 18.0	11	3 x 5	0.75 x 17 x 3	8	21	16	12.5	132	Configure
RSP18-5.0-11	18	5.0 x 18.0	11	3 x 5	1.00 x 36 x 4	11	27	21	16.5	192	Configure
RSP18-5.0-7	18	5.0 x 18.0	7	3 x 5	1.00 x 36 x 4	11	40	31	25.2	252	Configure
RSP20-4.0-11	20	4.00 x 20.0	11	2 x 4	0.75 x 17 x 3	8	11.4	8.9	6.9	123	Configure
RSP20-4.5-11	20	4.50 x 20.0	11	3 x 5	0.75 x 30 x 3	8	15.5	12.2	9.6	135	Configure
RSP20-5.0-11	20	5.00 x 20.0	11	3 x 5	1.00 x 36 x 4	11	20.3	16	12.7	189	Configure
RSP20-5.0-7	20	5.00 x 20.0	7	3 x 5	1.00 x 36 x 4	11	28.2	22.4	18	253	Configure
RSP22-4.5-11	22	4.50 x 22.0	11	3 x 5	0.75 x 30 x 3	8	13	10.1	7.8	147	Configure
RSP22-4.0-11	22	4.00 x 22.0	11	2 x 4	0.75 x 17 x 3	8	7	5.1	3.7	148	Configure
RSP22-5.0-11	22	5.00 x 22.0	11	3 x 5	1.00 x 36 x 4	11	17.3	13.5	10.5	202	Configure
RSP22-5.0-7	22	5.00 x 22.0	7	3 x 5	1.00 x 36 x 4	11	24.2	19.2	15.3	272	Configure
RSP24-4.0-11	24	4.00 x 24.0	11	2 x 4	0.75 x 17 x 3	8	7	5.1	3.7	148	Configure
RSP24-4.5-11	24	4.50 x 24.0	11	3 x 5	0.75 x 30 x 3	8	10.9	8.3	6.3	158	Configure
RSP24-5.0-11	24	5.00 x 24.0	11	3 x 5	1.00 x 36 x 4	11	14.6	11.3	8.6	215	Configure
RSP24-5.0-7	24	5.00 x 24.0	7	3 x 5	1.00 x 36 x 4	11	20.9	16.4	12.9	292	Configure
RSP25-4.0-11	25	4.00 x 25.0	11	2 x 4	0.75 x 17 x 3	8	7	5.1	3.7	148	Configure
RSP25-4.5-11	25	4.50 x 25.0	11	3 x 5	0.75 x 30 x 3	8	10	7.5	5.5	164	Configure
RSP25-5.0-11	25	5.00 x 25.0	11	3 x 5	1.00 x 36 x 4	11	13.5	10.3	7.8	221	Configure
RSP25-5.0-7	25	5.00 x 25.0	7	3 x 5	1.00 x 36 x 4	11	19.4	15.1	11.8	301	Configure
RSP26-4.5-11	26	4.50 x 26.0	11	3 x 5	0.75 x 30 x 3	8	9.1	6.7	4.9	170	Configure
RSP26-5.0-11	26	5.00 x 26.0	11	3 x 5	1.00 x 36 x 4	11	12.4	9.3	7	228	Configure
RSP26-5.0-7	26	5.00 x 26.0	7	3 x 5	1.00 x 36 x 4	11	18	13.9	10.8	311	Configure

RSP28-4.5-11	28	4.50 x 28.0	11	3 x 5	0.75 x 30 x 3	8	7.4	5.3	3.6	182	<a href="#">Configure</a>
RSP28-5.0-11	28	5.00 x 28.0	11	3 x 5	1.00 x 36 x 4	11	10.4	7.6	5.5	240	<a href="#">Configure</a>
RSP28-5.0-7	28	5.00 x 28.0	7	3 x 5	1.00 x 36 x 4	11	15.4	11.7	8.9	330	<a href="#">Configure</a>
RSP30-4.5-11	30	4.50 x 30.0	11	3 x 5	0.75 x 30 x 3	8	5.3	3.5	2.2	193	<a href="#">Configure</a>
RSP30-5.0-11	30	5.00 x 30.0	11	3 x 5	1.00 x 36 x 4	11	7.6	5.3	3.6	253	<a href="#">Configure</a>
RSP30-5.0-7	30	5.00 x 30.0	7	3 x 5	1.00 x 36 x 4	11	11.5	8.5	6.2	349	<a href="#">Configure</a>
RSP35-5.0-7	35	5.00 x 35.0	7	3 x 5	1.00 x 36 x 4	11	7	4.6	2.8	397	<a href="#">Configure</a>

## FINISHES

<u>Standard</u>	<u>Galvanized</u>	<u>K-KLAD</u>	<u>K-KLAD Over Galvanizing</u>
<b>BRZ</b> Bronze	<b>G</b> Galvanized	<b>K813</b> Bronze	<b>KZ13</b> Bronze
<b>BLK</b> Black		<b>K821</b> Black	<b>KZ21</b> Black
<b>GRY</b> Gray		<b>K841</b> Gray	<b>KZ41</b> Gray
<b>GRN</b> Green		<b>K891</b> Green	<b>KZ91</b> Green
<b>WHT</b> White		<b>K881</b> White	<b>KZ81</b> White
<b>P</b> Primed		<b>K845</b> Natural Aluminum	<b>KZ45</b> Natural Aluminum
<b>NA</b> Natural Aluminum			

1 YEAR WARRANTY

5 YEAR WARRANTY

10 YEAR WARRANTY

## MOUNTING DESIGNATIONS

### Tenon Mount

<b>2</b>	2 3/8" x 4" TENON
<b>3</b>	2 7/8" x 4" TENON
<b>3.5</b>	3 1/2" x 6" TENON
<b>4</b>	4" x 6" TENON
<b>4x4</b>	4" x 4" TENON

### Drill Mount

<b>DM10</b>	Drilled for 1 Luminaire
<b>DM2090</b>	Drilled for 2 Luminaires @ 90°
<b>DM2180</b>	Drilled for 2 Luminaires @ 180°
<b>DM3090</b>	Drilled for 3 Luminaires @ 90°
<b>DM3120</b>	Drilled for 3 Luminaires @ 120°
<b>DM4090</b>	Drilled for 4 Luminaires @ 90°

### Open Mount

<b>OT</b>	Open Top
<b>OTC</b>	Open Top includes Pole Cap

### Gain Mount

<b>1GSS4</b>	(1) CXA
<b>2GSS4</b>	(2) CXA's located on the Same Side
<b>3GSS4</b>	(3) CXA's located on the Same Side
<b>4GSS4</b>	(4) CXA's located on the Same Side
<b>2GBB4</b>	(2) CXA's located Back to Back
<b>4GBB4</b>	(4) CXA's located Back to Back
<b>1GSS9</b>	(1) CXASQ
<b>2GSS9</b>	(2) CXASQ's located on the Same Side
<b>3GSS9</b>	(3) CXASQ's located on the Same Side
<b>4GSS9</b>	(4) CXASQ's located on the Same Side
<b>2GBB9</b>	(2) CXASQ's located Back to Back
<b>4GBB9</b>	(4) CXASQ's located Back to Back

## OPTIONS

There are numerous options that can be ordered. Please indicate these selections under the options column in the catalog number. Example: CPL-WPR2-BC.

### Accessories

<b>BC</b>	Base Cover
<b>CPL</b>	Threaded Coupling*
<b>NPL</b>	Threaded Nipple*
<b>WPRP</b>	Festoon Opening**
<b>LAB</b>	Less Anchor Bolt
<b>VDI</b>	Vibration Damper Internal

### Optional Handholes

<b>SF35HH</b>	3" x 5" Semi-Flush Handhole
---------------	-----------------------------

### Extra Handholes

<b>XHH</b>	Extra Handhole*
------------	-----------------

### Embedment Pole Options

<b>E</b>	Embedded Pole
<b>GS</b>	Ground Sleeve
<b>CTE</b>	Coal Tar Epoxy

### For Embedment Poles:

Recommended Mounting Height	Recommended Embedment Depth
Less than 20'	4'
20' - 33'	6'
Greater than 33'	7'

### Additional Simplex

<b>1S</b>	1 @ 0° *
<b>2S</b>	2 @ 180° *
<b>3S</b>	3 @ 90° *
<b>4S</b>	4 @ 90° *

Greater embedment depths are available upon request.

### Optional Cast Steel Base Plate

<b>CSBP</b>	Cast Steel Base Plate
-------------	-----------------------

\* Please advise size, location, and orientation. (Handholes are restricted by size of pole shaft diameter)

\*\* Located 24" above baseplate and same side as handhole. (No electrical included)

## PACKAGING

Immediately after coating, the lighting standard including the baseplate shall be wrapped in heavy corrugation specially designed and sized to achieve maximum protection in transit.

KW Industries, Inc. coating process system and stringent quality control procedures provide our customer the finest quality lighting standards in the industry.